

1. USE

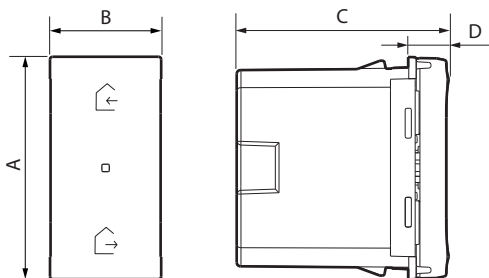
Home/Away wireless control, used to control leaving home/coming home scenes involving lights, roller shutters and connected sockets and electrical equipment.

2. RANGE

Home/Away wireless control.
Supplied with rocker plate and a battery.
Equipped with an LED indicator (configuration).
Hidden reset button used to return to factory settings.
1 module

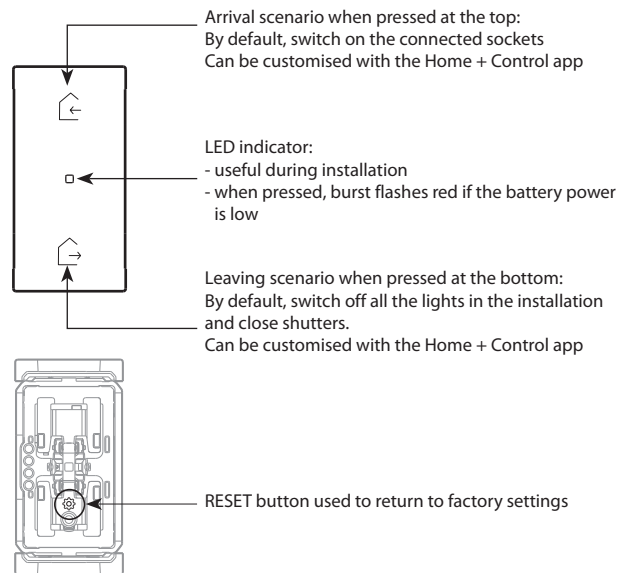
White		Magnesium	
5 742 70		5 742 79	

3. DIMENSIONS (mm)



A	B	C	D
45	22.5	43	8

4. OPERATION



5. TECHNICAL CHARACTERISTICS

- **5.1 Mechanical characteristics**
Protection against impacts: IK 04
Protection against solid bodies and/or liquids: IP 21 D
- **5.2 Material characteristics**
Rocker plate: ABS White RAL 9003
ABS Magnesium painted
- Mechanism casing: PC
Halogen-free
UV-resistant
Self-extinguishing: 650° C/30 s
- **5.3 Electrical characteristics**
Powered by a CR2032 - 3 V lithium battery (supplied)
Battery life: 8 years for 10 activations a day
ZigBee radio technology: Frequency: 2.4 GHz to 2.4835 GHz
Power level: < 100 mW
- **5.4 Climate characteristics**
Storage temperature: 0°C to + 45°C
Usage temperature: +5°C to + 45°C

6. CLEANING

Clean the surface with a cloth.
Do not use acetone, tar-removing cleaning agents or trichloroethylene.

Resistant to the following products: Hexane (EN 60669-1), methylated spirit, soapy water, diluted ammonia, bleach diluted to 10%, window-cleaning products, pre-impregnated wipes.

Caution: Always test before using special cleaning products.



Take care to recycle the battery appropriately.

7. STANDARDS AND APPROVALS

The undersigned, LEGRAND, declares that the radio-electric equipment type (5 742 70/79) complies with directive 2014/53/EU.

The full text of the EU declaration of conformity is available on the following website: www.legrandoc.com